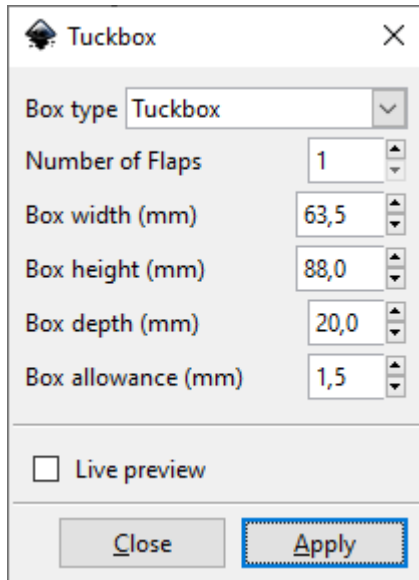


Tuckbox

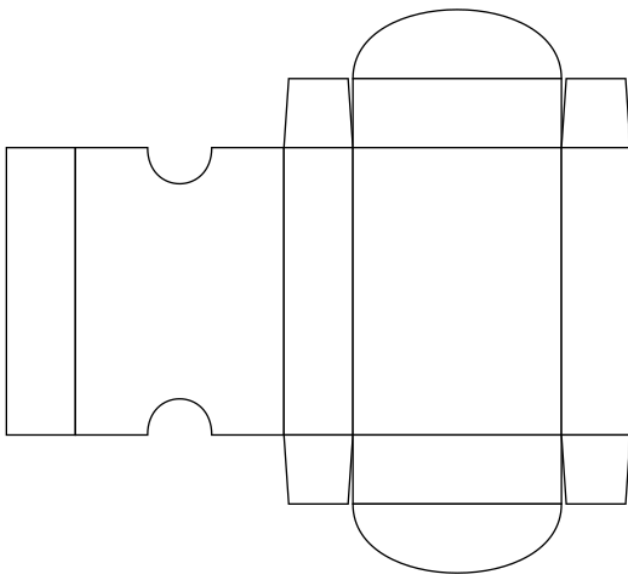
A similar generator for card boxes like Tuckbox is

<https://www.templatemaker.nl/de/cardbox>



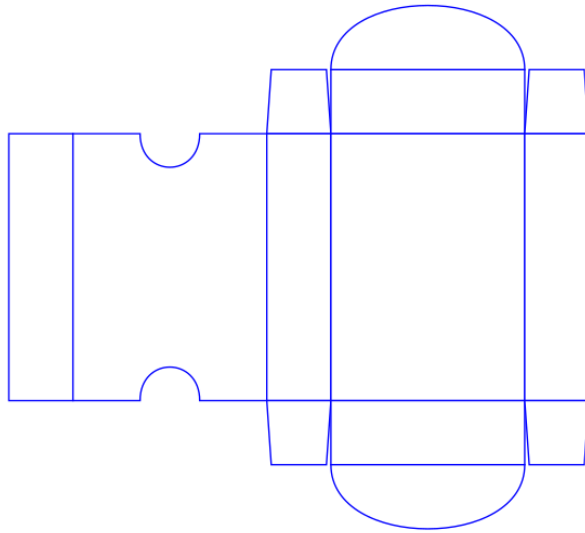
The screenshot shows a window titled "Tuckbox" with a close button (X) in the top right corner. The interface includes the following elements:

- Box type:** A dropdown menu set to "Tuckbox".
- Number of Flaps:** A numeric input field set to "1".
- Box width (mm):** A numeric input field set to "63,5".
- Box height (mm):** A numeric input field set to "88,0".
- Box depth (mm):** A numeric input field set to "20,0".
- Box allowance (mm):** A numeric input field set to "1,5".
- Live preview:** An unchecked checkbox.
- Buttons:** "Close" and "Apply" buttons at the bottom.

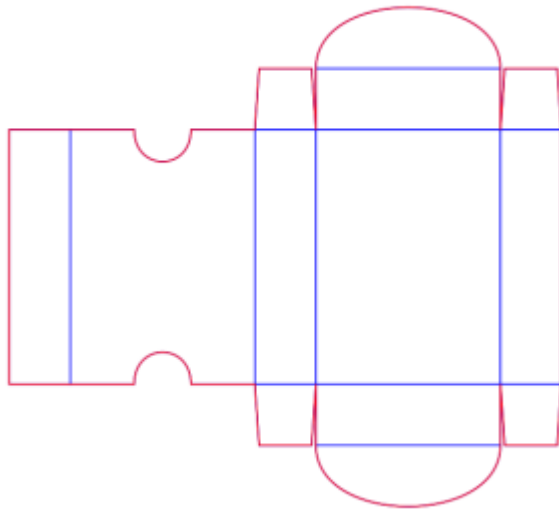


Tuckbox is not a well written extension for laser cutting output. But you can simply do the following to make laser files:

1. Create a tuckbox
2. Select all and colorize it to blue



3. Duplicate it, colorize it red, ungroup all, run union all for the duplicate selection, remove the fill color. You get the outline like this:



The outer contour will be processed by laser twice (first engraving, then cutting). It consumes more time but it basically works

Version #1

Erstellt: 2025-05-24 14:56:28 CEST von Mario Voigt

Zuletzt aktualisiert: 2025-05-24 14:57:39 CEST von Mario Voigt